



Oasis SFG Series

Top Mount Fibreglass MEDIA FILTERS

oasisaquatics.com.au

Part of the  sunlover group

Head Office
6-8 Austral Place,
Hallam VIC 3803
T: 03 9887 2131

New South Wales
Unit 2, 10 Boden Rd,
Seven Hills NSW 2147
T: 02 9838 0000

Queensland
11 Andys Court Upper
Coomera QLD 4209
T: 07 5679 6821

oasisaquatics.com.au
sales@sunloverheating.com.au

TABLE OF CONTENTS

1.	IMPORTANT WARNINGS & SAFETY INSTRUCTIONS	3
2.	GENERAL OVERVIEW	4
3.	HOW IT WORKS.....	5
4.	INSTALLATION.....	6
	Start-Up Procedure.....	8
5.	MULTIPOINT CONTROL VALVE FUNCTIONS	9
6.	BACKWASHING	10
7.	WINTERISING	11
8.	SYSTEM TROUBLESHOOTING.....	11
9.	POOL CHEMISTRY GUIDELINES.....	13
10.	PRO-ACTIVE MAINTENANCE PROGRAM.....	14
11.	SPECIFICATIONS & DIMENSIONS	15
12.	REPLACEMENT PARTS OF FILTER.....	16
	SFG25-40.....	16
	SFG25-50.....	17
	SFG28-50, SFG32-50 & SFG36-50.....	18
13.	WARRANTY	19
14.	TECHNICAL SUPPORT	20
15.	NOTES.....	21

1. IMPORTANT WARNINGS & SAFETY INSTRUCTIONS

IMPORTANT WARNINGS



This manual contains important information about the installation, operation and safe use of this product. This information should be given to the owner and/or operator of this equipment. When installing and using this equipment, basic safety precautions should always be followed. Failure to follow safety warnings and instructions in this manual can result in serious injury and/or damage to your equipment. Read and follow all warning notices and instructions which are included in this manual.

Pool and Spa water circulation systems operate under hazardous pressure during start up, normal operation, and after pump shut off. Stand clear of circulation system equipment during pump start-up.

Failure to follow safety and operation instructions could result in violent separation of the pump housing and cover, and/or filter housing and clamp due to pressure in the system, which could cause property damage, severe personal injury, or death.

Before servicing pool and spa water circulation systems, all system and pump controls must be in the off position and filter manual relief valve must be in open position. Before starting system pump, all system valves must be set in a position that allows system water to return back to the pool.

DO NOT CHANGE FILTER CONTROL VALVE POSITION WHILST SYSTEM PUMP IS OPERATING.

Before starting system pump, fully open filter manual air relief valve.

Do not close filter manual air relief valve until a steady stream of water (not air) is discharged.

Cleaning the media filter by BACKWASHING and RINSING is essential to providing clean, safe and healthy swimming water.



To reduce the risk of injury, **DO NOT** permit young children to use this product unless they have been trained by the person responsible for their safety and they acknowledge their ability to use such equipment. To reduce the risk of accidents or incidents, service on the unit should only be performed by your local pool Professional.

FAILURE TO FOLLOW INSTRUCTIONS CAN CAUSE SEVERE INJURY AND / OR DEATH.

CAREFUL REMINDERS

- It is recommended that installation of all equipment is complete by a suitably qualified pool professional who will ensure your products are installed to your local standards / codes to ensure optimum safety and performance.
- All components of the filtration system including Pumps, Filters, Heaters must be positioned so to prevent being used as means of access to the pool by young children. To reduce risk of injury, do not permit children to use or climb on this product. Closely supervise children at all times.
- Make sure all wiring connections are clean and that all wiring and electrical equipment is in good condition. Damaged wiring must be repaired or replaced by a qualified electrician as soon as damage is discovered
- Do not add chemicals directly to the pool skimmer. Adding undiluted chemicals may damage pump, heater, etc and void warranty
- Pump suction is hazardous and can cause entrapment, drowning or disembowel bathers
- Do not block or cover any pool/spa suction
- Do not use or operate swimming pools, spas or spa baths if a suction cover is broken, missing or loose
- Suction covers and inlets must be installed as per Australian Standards guideline and provided for every pump to avoid suction entrapment

2. GENERAL OVERVIEW

Congratulations on your recent purchase of your **Oasis Aquatics SFG Top Mount Fibreglass Media Filter**.

Please take a moment to read through the entire manual before installing your new unit.

While every effort has been made to ensure that the information contained in this guide is accurate and complete, no liability can be accepted for any errors or omissions.

Oasis Aquatics reserves the right to change the specification of the hardware and software described herein at any time without prior notice.

There are 5 different size models in our range:

SFG24-40

SFG24-50

SFG28-50

SFG31-50

SFG36-50

Link by Clamp Type Valves

Link by Nut Type Valves

It is important that you read through the manual to identify the key areas you need to understand, particularly the following:

- Health and Safety Concerns
- Installation requirements
- How to operate the major features of the unit
- The importance of maintenance
- If you have a problem, what to trouble shoot before you contact your pool service professional
- Finally, your entitlements under your product warranty.

Oasis Aquatics have developed their product line to provide you with the ultimate experience and are sure you will be delighted with your purchase.

Please note: This manual has been designed to cater for installation rules and codes in Australia.

Specific rules and regulations for other countries may differ. Please speak with your installer should you have any questions.

Your filter is high performance and corrosion proof designed with superior flow characteristics that is easy to operate.

Everything is made simple from installation, operation, to the maintenance of the filter. Your **Oasis Aquatics** filter will provide crystal clear, healthy swimming water with minimal maintenance.

Oasis Aquatics highly recommends the use of qualified service technicians to ensure the best performance as well as the health and safety of your family.

**Thank you again for choosing an
Oasis Aquatics SFG Top Mount Fibreglass Media Filter.**

3. HOW IT WORKS

Your **Oasis Aquatics SFG Top Mount Fibreglass Media Filter** is designed to use the high-quality filter elements such as Media or Glass to remove dirt particles from pool water. These elements are specifically designed for your **Oasis Aquatics Media Filter** and if looked after will provide you with years of trouble-free operation.

The pool water which contains dirt particles is pumped through your system to the filter. As pool water passes through the filter, dirt particles will be caught by the filter element and removed from the water. The cleaned pool water is returned back to the pool through your piping system. The entire process is continuous and automatic. It is this process that provides the filtration and removal of organic material such as dust, dirt and fine particles in your pool water.

After a period of time, the accumulated dirt in the filter causes a resistance to flow, reducing the pressure in the tank and will reduce the flow of water through your filtration system. This means it is time to clean your filter.

A good indication when to clean the filter element is by checking the pressure gauge reading.

Cleaning should be performed when you notice the pressure has increased by 10 PSI or 70 kPa from when it was clean.

The cleaning procedure should be followed for best results.

**YOU MUST ALWAYS TURN YOUR FILTER PUMP OFF BEFORE
CHANGING THE MULTIPOINT CONTROL VALVE POSITION.**

**FAILURE TO DO SO WILL CAUSE ACCELERATED WEAR AND / OR
DAMAGE TO THE VALVE MECHANISM**

4. INSTALLATION

The filter should be installed as close to the pool as possible but keep a distance of at least 1.5m. Locate the filter on rigid, level surface, preferably in a dry, shaded, and well-ventilated area.

Prior to installation take into consideration the following conditions:

- Position of suction and return PVC connections
- Access for backwashing operation and servicing, including media replacement
- Protection from sun, rain, splashing etc
- Drainage of filter room
- Ventilation and protection of the full filtration system
- Media is loaded through the top opening of the filter
- The overall weight of the filter once the media is added (some filters will exceed 250kg once loaded and settlement will occur if the mounting is not of sufficient construction).

Once you are happy that the above has been considered, follow these steps:

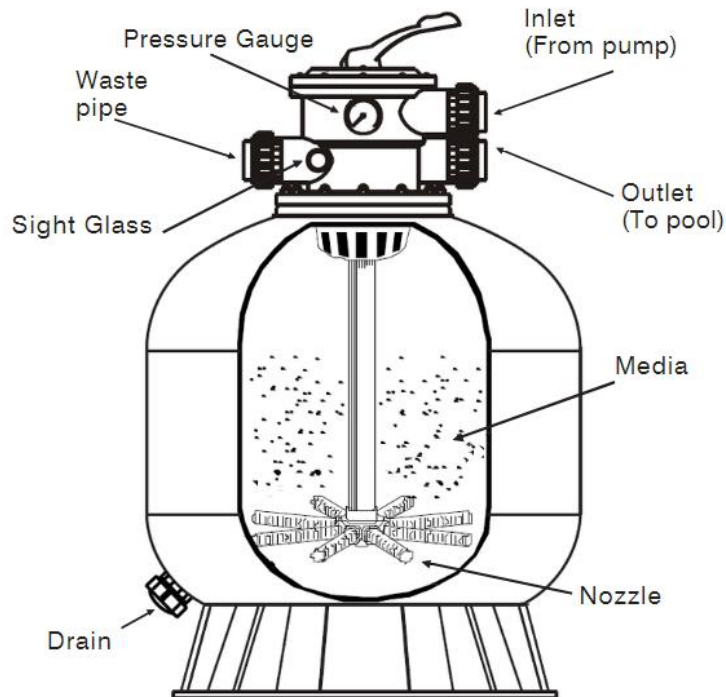
1. Place the empty tank in position.
 - a. Loosen the flange clamp and remove filter control valve (if previously installed).
2. Cover the standpipe with the media fill cover. This will prevent any media from getting into the pipe and working its way into your pool.
3. Fill the tank with water to the level that covers the laterals, or about 1/2 of the tank height. This helps protect the laterals from excessive shock by the force of the media when pouring into the filter.
4. Position a corner of the filter media bag over the tank and carefully pour in correct amount and grade of filter media. Work slowly and carefully to prevent any media from spilling. Repeat until you have added the amount of filter media needed for your filter.
5. The filter media surface should be levelled and should come to about the middle of the filter tank.
6. Remove the media fill cover from the top of the stand pipe ensuring all filter media particles are removed from the valve mounting surface.
7. Assemble the Multiport Control Valve into the filter tank by placing the O-ring into the groove on the tank.
8. Lower the Control Valve into the tank neck, taking care that the centre pipe slips into the hole in the bottom of the valve. Rotate the valve until the inlet is approximately in line with the pump.
9. Place the clamp set around the tank and the valve and tighten just enough so that the valve may be rotated on tank for final positioning.
10. Carefully screw pressure gauge (with O-ring in place) into tapped hole in valve body. Do not over-tighten.
11. Connect pump to control valve opening marked PUMP.
12. After connections are made, tighten clamps with screwdriver. Tapping around the clamp with a rubber mallet or screwdriver handle will help seat the clamp.
13. Make return to pool pipe connection to control valve opening marked RETURN and complete other necessary plumbing connections, suction lines to pump, waste, etc.
14. Make electrical connections to pump per pump instructions.
15. To prevent water leakage, make sure all pipe connections are tight.

DO NOT OVER TIGHTEN.

WARNING

Is it important when connecting the WASTE line that you adhere to any local standards and codes in relation to the disposal of the waste water. It is also highly recommended to use minimum 40mm (1.5") PVC Pipe with the SFG25-40 Filter and minimum 50mm (2.0") PVC Pipe with all other SFG Filters.

To reduce any pressure and to provide the best clean possible, reduce the distance and amount of bends used for the WASTE discharge line.



To prevent water leakage, be sure all pipe connections are tight.

Prior to starting the filtration process by turning on the pump, we highly recommend that you read through the pump instruction manual to ensure proper installation and to avoid the risk of electric shock.

Start-Up Procedure

1. Make sure the correct amount of filter media is located in the tank and all connections have been connected and secured.
2. Press downward and rotate the Multiport Control Valve handle to the 'BACKWASH' position. *To prevent damage to control valve seal, always depress handle before turning.*
3. Start the pump according to the pump instruction manual (be sure all suction and return lines are open), allowing the filter tank to fill with water.

Once water is flowing steady out the waste line, run the pump for at least 2 minutes. The initial backwashing of the filter is recommended to remove any impurities or fine particles in the media.

4. Turn the pump off and set the control valve to 'RINSE' position. Start the pump and operate until water in sight glass is clear, which will usually take approximately 1 minute. Turn pump off and set valve to 'FILTER' position and restart pump. The filter is now operating in the normal filter mode, filtering dirt particles from the pool water.
5. Adjust pool suction and return valves to achieve desired flow. Check system and filter for water leaks and tighten connections, bolts, nuts as required.
6. Take note of the initial pressure gauge reading for future reference. Variation may occur from pool to pool.

NOTE THE INITIAL PRESSURE GAUGE READING WHEN THE FILTER IS CLEAN.

It will vary from pool to pool depending upon the pump and general piping system.

As the filter removes dirt and impurities from the pool water, the accumulation of dirt in the filter will cause the pressure to rise and diminish the water flow. When the pressure gauge reading is 10 PSI or 70kPa, higher than the initial "clean" pressure you noted, it is time to backwash the filter (see BACKWASH function).

NOTE: During the initial clean-up of the pool water, it may be necessary to backwash frequently due to the unusually heavy initial dirt load in the water.

IMPORTANT: To prevent unnecessary strain on piping system and control valve, always turn off the pump before changing the operation of the control valve. To prevent damage to the pump and filter and for proper operation of the system, clean pump strainer (basket) and skimmer basket(s) regularly.

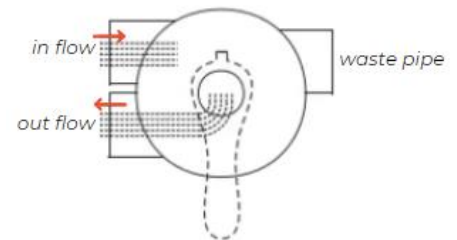
5. MULTIPOINT CONTROL VALVE FUNCTIONS

The Multiport Control Valve controls the direction of water flow throughout your filter allowing you to easily filter your swimming pool water and then clean your filter tank. Correct operation of the Multiport Control Valve will give you healthy, clean water for many years.

1) FILTER

Normal Filtration and Vacuuming

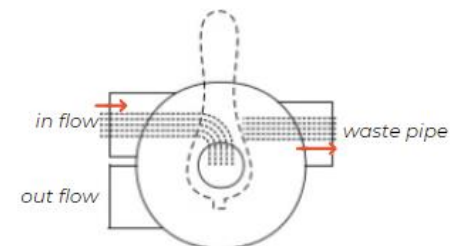
This is the standard position when your filtration system is in normal operation. The water flows in from your pool and is distributed across the top of the media bed in the filter. Through pressure this water is pushed down through the Media allowing debris to be removed from the water and collected in the media bed. Water is then taken up through the laterals and the centre stem pipe and returned to the pool, usually via some form of sanitation and/or heating. The filter position can also be used for manual vacuuming and cleaning of small debris.



2) BACKWASH

Cleaning filter by reversing the flow

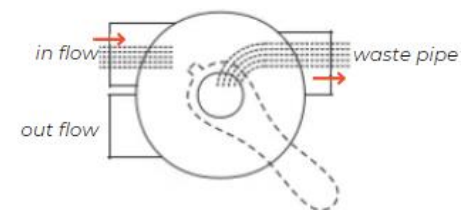
This position is used when the media bed requires cleaning. Use the Pressure Gauge to indicate when this is required, usually 10 PSI or 70 kPa above operation of a clean filter. When backwash is selected the water flow is reversed and goes down the stem pipe and out through the laterals. This lifts the media bed and allows debris to be taken up the filter and out through the waste pipe. The sight glass will show the quality of the water and you need to backwash until this water is clear.



3) WASTE

By-passes filter, used for vacuuming to waste or lowering water level

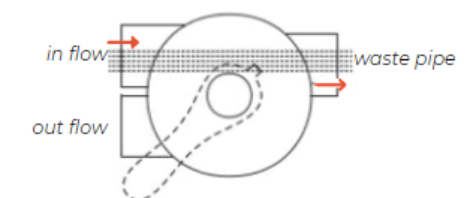
The waste position allows you to pump excess water from the pool directly down the waste pipe. This position is useful after heavy rains where the water level is too high. Water is directed straight through the Multiport Control Valve and bypasses the filter, going directly to waste. You can also use this position to vacuum heavy concentration of debris from the pool.



4) RECIRCULATE

By-passes filter for circulating water to pool

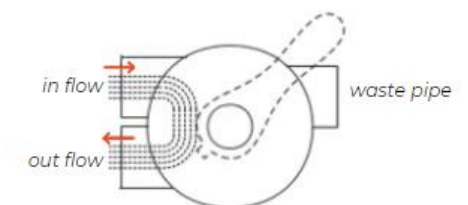
Similar to the Waste setting, recirculate allows the water to bypass the filter but goes straight back to the pool. This is a useful setting if you have applied some chemicals that need to be circulated, but not removed by the filter. In addition, if a leak develops in the filter use recirculate to continue circulating water until it is fixed. The recirculate setting can also be used to assist with the re-priming of the filter pump, as bypassing the media bed reduces the resistance in the pump return circuit.



5) RINSE

Used after backwash to flush dirt from valve

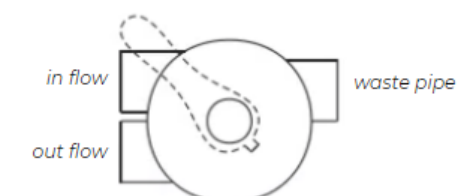
Rinse is a very important setting to use after you have completed the Backwash cycle. In the rinse setting, water is taken from the pool and distributed on the media bed. This downward flow settles the media bed after backwashing and carries any remaining loose dirt through to the waste line. By using Rinse after Backwashing you will eliminate any debris returning to the pool water. Rinse until you see clear water in the sight glass and should take half the time of a Backwash cycle.



6) CLOSED

Shuts off all flow to filter or pool

Closed setting acts like a valve and prevents flow of water through the tank, particularly useful if doing any maintenance on the filtration system.



6. BACKWASHING

Cleaning your Filter will give you the best quality swimming water that is clean, clear and safe for swimming. It is highly recommended to clean on a regular basis and to monitor the pressure gauge and BACKWASH when an increase of 10 PSI or 70 kPa is indicated from your clean filter.

TO PERFORM THE BACKWASH OPERATION, YOU MUST FOLLOWING THESE STEPS:

1. Turn off filter pump
2. Change the position of the Multiport Control Valve handle from FILTER to BACKWASH
3. Turn filter pump back on. The water flow is automatically reversed through the filter so the water is directed from the bottom of the tank, up through the media, flushing the trapped dirt and debris out of the waste line
4. Check sight glass. The duration of the backwash operation will depend on how dirty your filter is. Continuously check the sight glass until the water becomes clear.
5. Turn off filter pump
6. Change the position of the Multiport Control Valve handle from BACKWASH to RINSE
7. Turn filter pump back on. The water flow will now be directed back through the Media bed and then out through the waste line. This will settle the media bed back for normal operation
8. Check sight glass. Continue until water is running clear
9. Turn off filter pump
10. Change the position of the Multiport Control Valve handle from RINSE to FILTER.
11. Turn on filter pump



WARNING

YOU MUST ALWAYS TURN YOUR FILTER PUMP OFF BEFORE CHANGING THE MULTIPORT CONTROL VALVE POSITION.

FAILURE TO DO SO WILL CAUSE ACCELERATED WEAR AND/OR DAMAGE TO THE VALVE MECHANISM

Cleaning the Media Filter by BACKWASHING and RINSING is essential to providing clean, safe and healthy swimming water. A regular cleaning program is highly recommended especially in commercial applications, the time between cleans and length of cleaning time will depend on size of pool, bather load and other environmental conditions. Discuss with your local pool professional to work out a program that best suits your pool.

WHEN VACUUMING THE POOL

If using your Manual Vacuum System to clean the pool. The following can be used as a guide for settings on your Multiport Control Valve.

- Light Soil, general clean - set the control valve to FILTER position
- Heavy Soil, specific clean - set the control valve to WASTE position. If using the WASTE position, ensure that the pool water level is well above your skimmer box level as the water will be directed down the waste line.

7. WINTERISING

Winterising is preparing your pool for freezing conditions which can potentially damage all pool filtration equipment due to water expanding when frozen. We highly recommend the following steps when preparing your filter for winter conditions:

1. Backwash the filter for at least thirty minutes before closing down the pool for winterising. This will clean the filter bed thoroughly and remove any debris from the system.
2. Drain the filter tank by removing the drain cap at the base of the filter tank. Leave the cap off during winter.
3. Set the control valve handle between the RINSE and FILTER. This will lift the handle and help with the draining process by allowing air to enter into the tank.
4. Unscrew the pressure gauge from the control valve and store the gauge indoors.
5. Drain and winterise the filter pump according to the manufacturer's instructions.

This is an ideal time for any repairs that may be required during the off-season. Most pool professionals will recommend what is needed before the next pool season.

8. SYSTEM TROUBLESHOOTING



If you suspect for any reason your **Oasis Aquatics SFG Top Mount Fibreglass Media Filter** is not performing or running as it should be, here are some handy troubleshooting tips that may assist you. This table should assist with the majority of problems

WHAT IS THE PROBLEM?	POTENTIAL CAUSE?
Media Entering the Pool	<ul style="list-style-type: none"> • Media too small and getting through laterals • Flow rate on filter pump is too high and pushing media through laterals • Media bed calcified due to poor water chemistry • Broken lateral • Loose centre-pipe • Too much media in filter pump • Multiport control valve not correctly in FILTER position • Too much air in filter
Pool Water is Cloudy due to poor Filtering	<ul style="list-style-type: none"> • Media bed is dirty and requires backwashing • Incorrect media has been installed • Media bed is too low • Algae build-up in filter due to poor water chemistry • Excessive dirt in pool • Calcified media bed due to poor water chemistry • Heavy swimmer load • Flow rate on filter pump is incorrect for filter size and pool size • Backwashing cycle is too short • Backwash line is too small restricting water flow

WHAT IS THE PROBLEM?	POTENTIAL CAUSE?
Media coming out of Waste Line	<ul style="list-style-type: none"> • Flow rate on filter pump is too high and lifting media too high on backwash • Tank cracked
Filter Leaking Water	<ul style="list-style-type: none"> • Drain plug not tight • Valve to tank o-ring damaged
Multiport Control Valve Leaks	<ul style="list-style-type: none"> • Handle is not properly located in selected setting • Valve to tank o-ring damaged • Valve cover o-ring damaged • Pressure gauge o-ring damaged
Abnormal Loss of Pool Water	<ul style="list-style-type: none"> • Leak inside multiport control valve • Leak from pool or PVC piping
High Pressure Filter	<ul style="list-style-type: none"> • Filter requires backwashing • Calcified media bed due to poor water chemistry • Return lines too small for flow rate of filter pump
Low Pressure in Filter	<ul style="list-style-type: none"> • Multiport control valve incorrectly set • Filter pump flow rate is too slow, check speed and other control valves • Filter pump has lost prime

Oasis Aquatics highly recommends regular checks and maintenance of your swimming pool equipment by a qualified pool professional.

This will extend the life of your equipment and give you the best performance.

NOTE: If the recommendation in this manual does not solve your particular problem(s), please contact your local dealer for service.

9. POOL CHEMISTRY GUIDELINES

To get the best performance out of any of your pool equipment, it is important that you manage your water chemistry to the ideal swimming levels. This could vary according to your location and **Oasis Aquatics** highly recommend that you employ the services of your local pool professional to get your pool set-up to exactly what is required.

The below chart gives some guidelines to the major water chemistry areas to provide the best performance and to maximise your equipment life. Should your chemistry fall outside the suggested ranges, this could be damaging to the equipment and its performance.

IMPORTANT POOL CHEMISTRY LEVELS	RANGE
pH	7.2 to 7.6
Total Alkalinity	100 to 130 ppm
Total Chlorine	1.0 to 3.0 ppm
Stabiliser (Cyanuric Acid)	40 to 70 ppm
Salt / Mineral	Max 5,000 ppm

10. PRO-ACTIVE MAINTENANCE PROGRAM

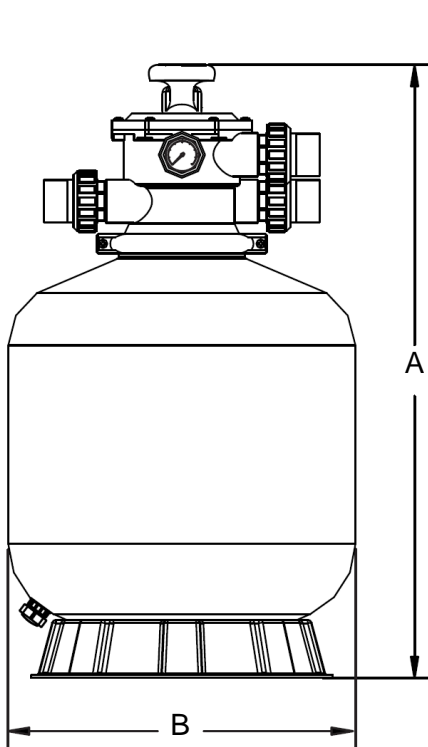
Like your motor vehicle it is important to maintain a regular service program for your pool equipment to ensure the best operation and long lasting results.

The below chart provides a guideline to follow to best look after your valuable equipment. Regular maintenance can identify any potential issues early and save on expensive maintenance at a later date

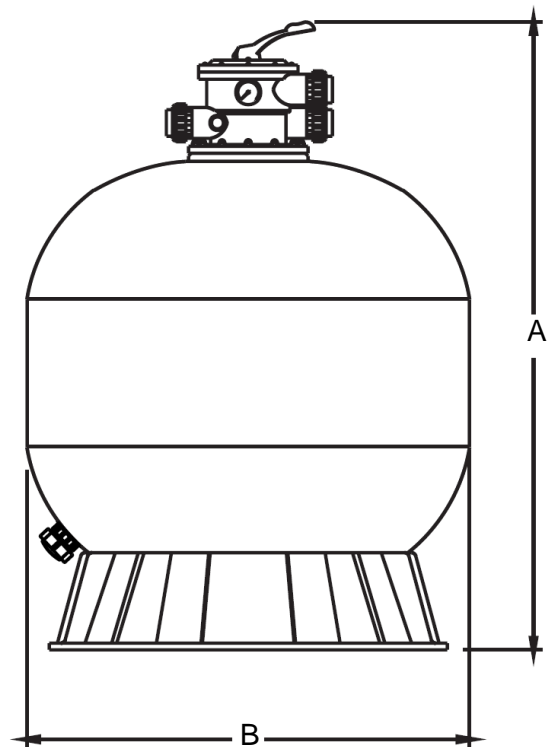
WHEN?	WHAT ARE YOU LOOKING FOR?	HOW CAN YOU FIX?
Weekly	Check Pressure Gauge	If pressure increases by 10 PSI / 70 kPa, then BACKWASH and RINSE the filter as per instructions.
	Check around the unit for leaves/debris or signs of flooding.	Remove any debris that is restricting air circulation around the filter. If in a flood prone location, rectify
Quarterly	Check for any Insects or Ants	It is a good practice to use a good quality surface spray around your equipment. Make sure all units are turned off and then spray around all units to eliminate any insect/ants etc
	Check for any leaks	If you notice any water leaking from the filter or other equipment, check gaskets first and reseal. If leaking continues, contact your local pool professional to assess and rectify
Annually	Compare operating pressure of backwashed filter to initial pressure (when new)	If pressure after backwash is more than 40 kPa or 6 PSI different from new filter, a media change may be required. Consult with pool professional for advice.

11. SPECIFICATIONS & DIMENSIONS

Model	Valve Port Size	Filtration Area	Design Flow	Height	Diameter	Media	Glass Fine	Glass Course
	<i>mm</i>	<i>m²</i>	<i>m³/h</i>	<i>A</i>	<i>B</i>	<i>Kgs</i>	<i>kgs</i>	<i>kgs</i>
SFG25-40	40	0.32	15.60	950	635	145	45	60
SFG25-50	50	0.32	16.32	980	635	145	45	60
SFG28-50	50	0.41	20.16	1092	723	200	60	75
SFG32-50	50	0.50	24.90	1200	800	260	75	105
SFG36-50	50	0.64	31.20	1300	900	300	75	150



SFG25-40 / SFG25-50



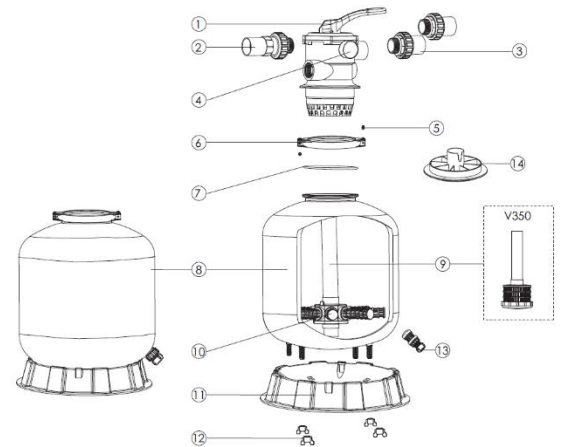
SFG28-50 / SFG32-50 / SFG36-50

12. REPLACEMENT PARTS OF FILTER

SFG25-40

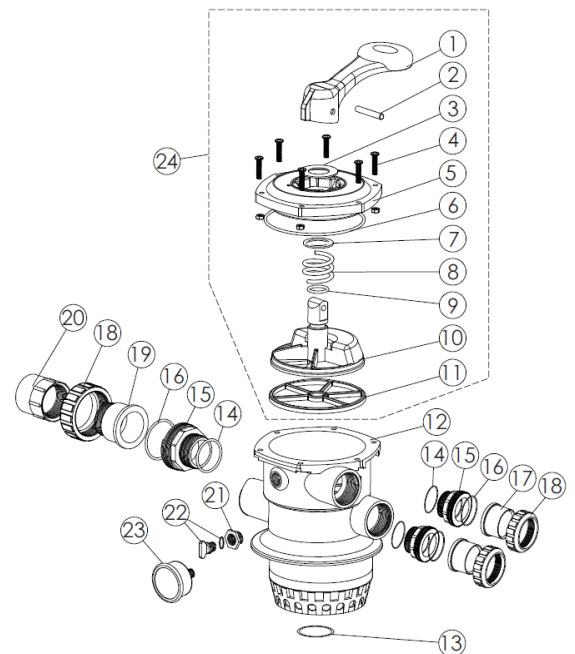
REPLACEMENT PARTS OF FILTER

Item	Part No	Description	Qty
1	8280105	6 Way 1.5" (40mm) Top Mount Valve (Valve Only)	1
2	89280101	1.5" (40mm) union (Black) with sight glass with O-ring	1
3	89280102	1.5" (40mm) union set with O-ring	2
4	06011029	Maximum 40PSI Indication, Stainless Steel Casing	1
4	E190109	Connector for Pressure Gauge/Stopper	1
5	89010119	M6*50 Screws with Nut	2
6	89010101	Clamp Lock	1
7	02011134	O-Ring for Filter Neck	1
8	89010110	SFG25-40 Filter tank	1
9	89010103	SFG25-40 Lateral Assembly with Center Pipe	1
10	01172008	Laterals (126mm) for SFG25-40	8
11	01111062	21-28" Filter Base for SFG25-40	1
12	01181052	Fastener for Filter Base	4
13	89010107	Water Drain Set	1
14	01015006	Media Diverter (Black) for 1.5" (40mm)	1



REPLACEMENT PARTS OF MULTIPORT VALVE

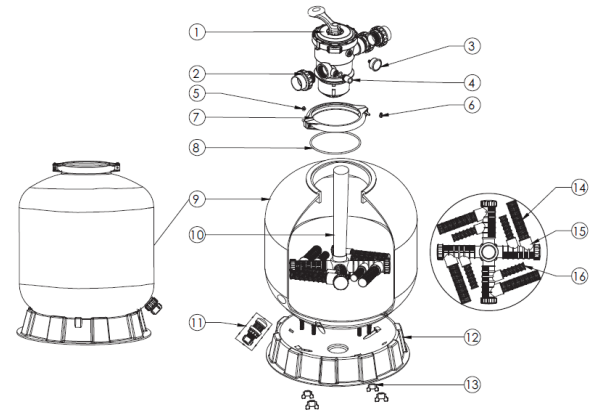
Item	Part No	Description	Qty
1	01013003	Handle (Big)	1
2	03018008	Pin for Handle	1
3	01181001	Washer for Handle	1
4	89280107	M6 x 30 Screw with Nut for Standard Lid	6
5	01013154	1.5" (40mm) Top/Side Mount Valve Standard Lid (Black)	1
6	02011002	O-Ring for 1.5" (40mm) Valve Lid	1
7	01181002	Washer for Spring	1
8	03014001	Spring for 1.5" (40mm) Top/Side Mount Valve	1
9	02011022	O-Ring for Valve Rotor	2
10	01021001	1.5" (40mm) Valve Rotor	1
11	02311002	Spider Gasket	1
12	E190147	1.5" (40mm) Body with Diffuser (Black)	1
13	02011001	O-Ring for Diffuser	1
14	02020013	O-Ring for 1.5" Connector	3
15	01013015	1.5" (40mm) Connector (Black)	3
16	02011003	O-Ring for 1.5" (40mm) Adaptor	3
17	01171153	1.5" (40mm) Union (A/E)	2
18	01013017	1.5" (40mm) Union Nut (Black)	3
19	01041002	1.5" (40mm) Union with Sight Glass (Short)	1
20	01172026	1.5" (40mm) Union with Sight Glass Holder	1
21	89280120	Connector for Pressure Gauge/Stopper	1
22	89021307	Drain Plug with O-ring	1
23	06011029	Oil Pressure Gauge with O-ring	1
24	919305061	MPV01/MPV03 Upper part	1



SFG25-50

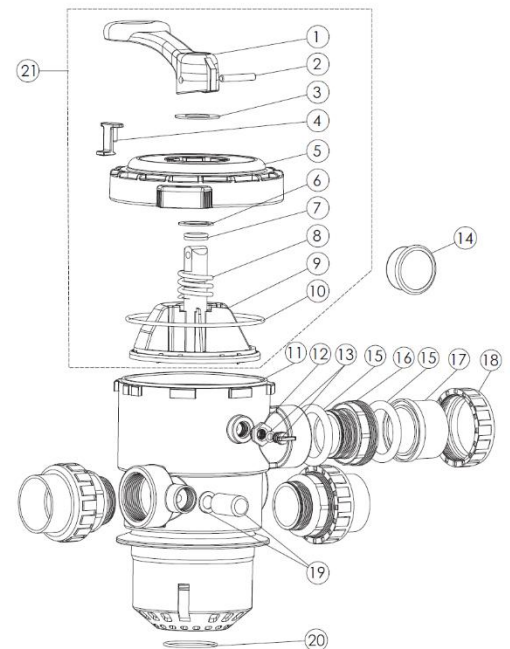
REPLACEMENT PARTS OF FILTER

Item	Part No	Description	Qty
1	88281506	MPV08 6-Way 2.0" (50mm) Clamp Type Multiport Valve	1
2	89280103	2.0" (50mm) Union	3
3	06011029	Maximum 40PSI Indication, Stainless Steel Casing	1
3	E190109	Connector for Pressure Gauge/Stopper	1
4	89280104	Sight glass with O-Ring	1
5	03021035	M6 Nut	2
6	03011095	Screw	2
7	01271010	Clamp Lock	2
8	02011134	O-Ring for Filter Neck	1
9	89010110	V650 Filter tank	1
10	89010130	Lateral Assembly with Center Piper	1
11	89010107	Water Drain Set	1
12	01111062	Filter Base	1
13	01181052	Fastener for Filter Base	4
14	01172010	Laterals (185mm)	4
15	89012516	MFV27 MFV31 MFV35 Laterals bracket	4
16	01172007	Laterals(115mm)	4



REPLACEMENT PARTS OF MULTIPORT VALVE

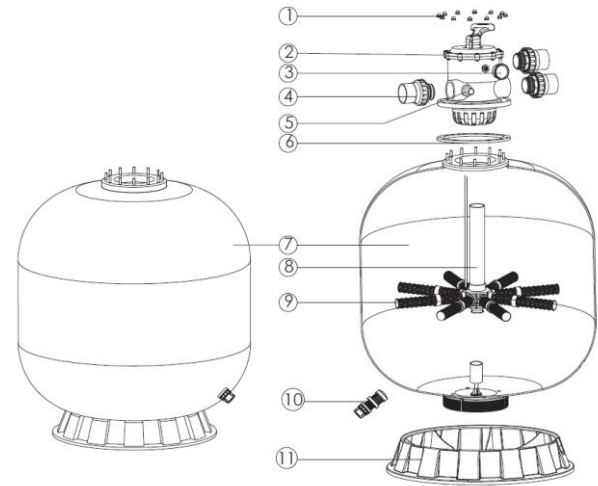
Item	Part No	Description	Qty
1	01013003	Handle (Big)	1
2	03018008	Pin for Handle	1
3	01181027	Washer for Handle	1
4	01181028	Defend Lock	1
5	01020009	2.0" (50mm) Lid	1
6	01181002	Washer for Spring	1
7	02011022	O-Ring for Valve Rotor	2
8	03014014	Spring for Valve	1
9	89280805	2.0" (50mm) Valve Rotor with Spider Gasket	1
10	02010003	O-Ring for Lid	1
11	E190213	2.0" (50mm) Body with Diffuser	1
12	89280120	Drain Plug Fitting with O-ring	1
13	89021307	Drain Plug with O-Ring	1
14	06011029	Oil Pressure Gauge with O-Ring (40Psi)	1
15	02020016	1.5" Union Nut (Black)	6
16	01013031	2.0" (50mm) Connector (Black)	3
17	01171154	2.0" (50mm) Union (A/E)	3
18	01013032	2.0" (50mm) Union Nut (Black)	3
19	89280104	Sight Glass with O-Ring	1
20	02011005	O-Ring for Diffuser	1
21	919301023	MPV08 Upper part	1



SFG28-50, SFG32-50 & SFG36-50

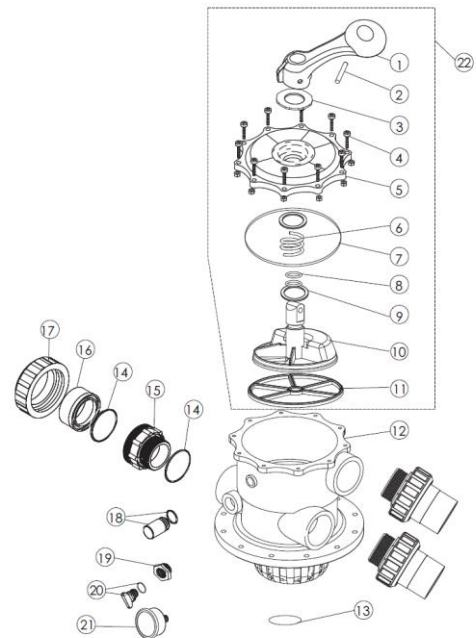
REPLACEMENT PARTS OF FILTER

Item	Part No	Description	Qty
1	89010601	Nut with Washer	12
2	88280306	6 Way 2" Top Mount Valve (Valve Only)	1
3	6011029	Maximum 40PSI Indication, Stainless Steel Casing	1
4	89280103	2" union set with O-ring	3
5	89280104	Sight Glass with O-Ring	1
6	2011126	Filter Neck Gasket	1
7	89010612	SFG28-50 Filter Tank with Base	1
7	89010603	SFG32-50 Filter Tank with Base	1
7	89010604	SFG36-50 Filter Tank with Base	1
8	89010611	SFG28-50 Standpipe with Hub	1
8	89010607	SFG32-50 Standpipe with Hub	1
8	89010608	SFG36-50 Standpipe with Hub	1
9	1172010	Laterals (185mm) For SFG28-50	8
9	1172011	Laterals (233mm) For SFG32-50 & SFG36-50	8
10	89010107	Water Drain Set	1
11	1111062	21 - 28inch Filter Base For SFG28-50	1
11	1112038	32 - 40inch Filter Base For SFG32-50 & SFG36-50	1



REPLACEMENT PARTS OF MULTIPOINT VALVE

Item	Part No	Description	Qty
1	1013003	Handle (Big)	1
2	3018008	Pin for Handle	1
3	1181027	Washer for Handle	1
4	E190144	M6 x 33 Screw with Nut	10
5	1013158	50mm Top Mount Valve Standard Lid (Black)	1
6	3014014	Spring for Valve	1
7	2011006	O-Ring for 50mm Top Mount Valve Lid	1
8	2011022	O-Ring for Valve Rotor	2
9	1181002	Washer for Spring	2
10	1021002	50mm Valve Rotor	1
11	2311003	Spider Gasket	1
12	E190220	50mm Body with Diffuser (Black)	1
13	2011005	O-Ring for Diffuser	1
14	2020016	O-Ring for Connector	6
15	1013031	50mm Connector (Black)	3
16	1171154	50mm Union (A/E)	3
17	1013032	50mm Union Nut (Black)	3
18	89280104	Sight Glass with O-Ring	1
19	89280120	Connector for Pressure Gauge/Stopper	1
20	89021307	Drain Plug with O-ring	1
21	6011029	Oil Pressure Gauge with O-ring	1
22	919301014	MPV02 Upper part	1



13. WARRANTY

Australian Consumer Law

Our goods come with guarantees that cannot be excluded under the Australian Consumer Law. You are entitled to a replacement or refund for a major failure and for compensation for any other reasonably foreseeable loss or damage. You are also entitled to have the goods repaired or replaced if the goods fail to be of acceptable quality and the failure does not amount to a major failure.

Your **Oasis Aquatics SFG Top Mount Fibreglass Media Filter** is covered by a limited **five (5) year** warranty and commences from the date of purchase.

Please refer below for details as follows:

- 5 year limited warranty on **Oasis Aquatics SFG Top Mount Fibreglass Media Filter** unit against component failure or defects workmanship and materials excluding obvious neglect, misuse, improper installation or improper maintenance from date of purchase.
- 12 months limited warranty on multiport valve, internal components, including o-rings, gaskets and gauges unit against defects in workmanship and materials excluding obvious neglect, misuse, improper installation or improper maintenance from date of purchase.
- 12 months warranty is provided on installation labour completed by **Oasis Aquatics** or Sunlover Heating staff from date of install.
- Items that are replaced as part of routine maintenance are not covered by this warranty.

This warranty is subject to the conditions and limitations herein after stated and is applicable to workmanship and materials only.

You must notify **Oasis Aquatics** of the failure of any component of your product within seven (7) days of the recognised fault.

Oasis Aquatics will at its option, repair or replace any defective parts. Component failure must be due solely to a defect in materials or workmanship. The manufacturer will not be held liable for damage caused by, but not limited to, corrosion, scaling or stress.

This warranty does not apply if failure is due to any abuse, misuse, improper installation or accident or to any of the following:

- The customer has not complied with **Oasis Aquatics** terms and conditions of sale
- The product was used in an application for which it wasn't intended
- The product was altered, modified or repaired by any other person than **Oasis Aquatics** or its Authorised Service Agents
- The product has not been installed, maintained or operated in accordance with installation and operating instructions
- Environmental influences such as flooding, storm, lightning, fire
- Running filtration system without water
- Damage beyond our control

This Warranty is solely for the benefit of the original consumer and with respect to the original installation only. and is therefore non transferable under any circumstance.

Oasis Aquatics shall have no liability for incidental or consequential damages. No person is authorized to make any representation or warranty on behalf of **Oasis Aquatics** other than what is stated here.

If a defect in materials or workmanship occurs within the warranty period **Oasis Aquatics** will, at its discretion repair or replace product or the defective part of the product free of charge or cause the product or the defective part to be repaired or replaced by an Authorised **Oasis Aquatics** Service Agent free of charge.

Oasis Aquatics reserves the right to substitute defective parts or the product with parts or product of similar quality, grade and performance where an identical part or product is not available. Parts or products may be replaced by refurbished goods of the same type rather than be repaired.

If the product is bought as a demonstration, refurbished, ex-rental, discontinued or otherwise previously unboxed unit, the warranty applicable shall be limited to twelve (12) months only.

On Commercial Installations, such as health clubs, swim schools, motels/hotels and hydrotherapy, parts and in field labour warranty, the warranty period is limited to twelve (12) months only.

14. TECHNICAL SUPPORT

For all warranty enquiries please contact your local distributor or contact **Oasis Aquatics** directly and we will either direct you to your nearest authorised repairer or assist you.

OASIS AQUATICS

Ph: 1800 815 913

Website: oasisaquatics.com.au

Email: sales@sunloverheating.com.au

DISCLAIMER

Information in this guide is intended to provide general information on a particular subject(s) in good faith and is not an exhaustive treatment of such subject(s). Its use is beyond the control of the author, contributor, publishers and distributors and should not be relied upon without consulting your local Professional for comprehensive advice.

This guide includes subject(s) that should only be performed by or under the direction and advice of your local Professional and under no circumstances should the guide be used as a substitute for such professionals.

No representations or warranties are made that the content, advice and recommendations in this guide are current, free from errors or omissions, or appropriate for the user's circumstances or abilities. No liability or responsibility is accepted for any loss suffered as a result of any user's reliance on such content.

15. WARRANTY REGISTRATION

Registering your **Oasis Aquatics** products is fast and easy, providing peace of mind that you've got great backup support for the life of your pool heating!

- Scan QR Code
<https://sunloverheating.com.au/service-request/warranty-registration/>
- No Need to create an account
- Fill in your details
- Upload a photo of your serial number
- Submit





A part of the  sunlover group

Victoria
6-8 Austral Place
Hallam VIC 3803
Australia
T: 03 9887 2131

New South Wales
Unit 2, 10 Boden Road
Seven Hills NSW 2147
Australia
T: 02 9838 0000

Queensland
11 Andys Court
Upper Coomera QLD 4209
Australia
T: 07 5679 6821

oasisaquatics.com.au
sales@sunloverheating.com.au