



Oasis SE Series - Single-Element

Cartridge Filters

INSTALLATION AND OPERATION MANUAL

oasisaquatics.com.au

Part of the  sunlover group

Head Office
6-8 Austral Place,
Hallam VIC 3803
T: 03 9887 2131

New South Wales
Unit 2, 10 Boden Rd,
Seven Hills NSW 2147
T: 02 9838 0000

Queensland
11 Andys Court Upper
Coomera QLD 4209
T: 07 5679 6821

oasisaquatics.com.au
sales@sunloverheating.com.au

FOR QUICK REFERENCE, RECORDS YOUR DETAILS HERE.		
Model No:		
Serial No:		
Purchase Date:		
Installer:		
Warranty Registered Online:	Yes / No	<i>See page 15 for details</i>

PRESSURE GAUGE READING RECORD			
Initial Reading	Date	PSI	kPa
	Date	PSI	kPa
	Date	PSI	kPa
	Date	PSI	kPa
	Date	PSI	kPa
	Date	PSI	kPa
	Date	PSI	kPa
	Date	PSI	kPa
	Date	PSI	kPa
	Date	PSI	kPa
	Date	PSI	kPa
	Date	PSI	kPa
	Date	PSI	kPa
	Date	PSI	kPa
	Date	PSI	kPa
	Date	PSI	kPa
	Date	PSI	kPa
	Date	PSI	kPa
	Date	PSI	kPa
	Date	PSI	kPa
	Date	PSI	kPa
	Date	PSI	kPa
	Date	PSI	kPa
	Date	PSI	kPa

TABLE OF CONTENTS

1.	IMPORTANT WARNINGS & SAFETY INSTRUCTIONS	3
2.	GENERAL OVERVIEW	5
3.	HOW IT WORKS.....	6
4.	INSTALLATION.....	6
5.	STARTING THE PUMP AND FILTER SYSTEM.....	7
	BEFORE STARTING THE PUMP	7
	STARTING PUMP	8
	OPERATION	8
6.	MAINTAINING YOUR FILTER	9
	FILTER DISASSEMBLY INSTRUCTIONS.....	9
	REMOVING CARTRIDGE	9
	CLEANING CARTRIDGE	9
	FILTER REASSEMBLY INSTRUCTIONS.....	9
	RESTARTING FILTER PUMP	10
7.	WINTERISING	10
8.	TROUBLESHOOTING	11
9.	PRO-ACTIVE MAINTENANCE	12
10.	SPECIFICATIONS & DIMENSIONS	12
11.	REPLACEMENT PARTS OF FILTER	13
12.	WARRANTY	14
13.	TECHNICAL SUPPORT	15
14.	WARRANTY REGISTRATION	15
15.	NOTES.....	16

1. IMPORTANT WARNINGS & SAFETY INSTRUCTIONS

! THESE OPERATING INSTRUCTIONS CONTAIN IMPORTANT INFORMATION ON THE SAFE, PROPER, AND ECONOMICAL OPERATION OF THIS SWIMMING POOL APPLIANCE. STRICT OBSERVATION OF THE OPERATING INSTRUCTIONS WILL HELP TO AVOID DANGERS, REDUCE REPAIR COSTS, AND INCREASE THE RELIABILITY AND WORKING LIFE OF THE PRODUCT.

Failure to follow the instructions in this manual may result in serious adverse health effects or even serious or fatal injury. Failure to follow the instructions in this manual will in all cases invalidate all guarantees and liability on the part of the manufacturer.

Consumer Information and Safety

These Cartridge Filters are designed and manufactured to provide years of safe and reliable operation. They must be installed, operated and maintained in accordance with the information in this manual along with any relevant local installation codes.

THIS FILTER OPERATES UNDER HIGH PRESSURE



**Caution
Compressed air**

When any part of the pool filtration system, is serviced, air can enter the system and become pressurised. Pressurised air can cause the Cartridge Filter top assembly to separate, Resulting in severe injury, death, or property damage.

To avoid this potential hazard, follow these instructions:

1. If you are not familiar with your pool filtration system:
 - a. Do NOT attempt to adjust or service without consulting your dealer, or a qualified pool technician.
 - b. Read the entire Installation & Operation Manual before attempting to use, service, or adjust the pool filtration system.
2. Before repositioning valve(s) and before beginning the assembly, disassembly, or any other service of the filtration system:
 - a. Switch off all pumps and electrical power in pool equipment to ensure the system is NOT inadvertently started during the servicing.
 - b. Loosen air relief valve on top of the filter by approximately one and a half turns.
 - c. Wait until all pressure is relieved.
3. Whenever installing or reassembling the filter assembly, always follow the instructions and warnings outlined in this manual exactly.
4. Once service of the filtration system is complete follow initial start-up instructions exactly.
5. Ensure that your filtration system is maintained properly. Replace any worn or damaged parts immediately.
6. Be sure that the filter is properly mounted and positioned according with the instructions provided.

! WARNING

This filter must be installed by a licensed or certified service person in accordance with any relevant local installation codes.

Improper installation could result in death or serious injury to pool users, installers, or others and may also cause damage to property.

Always switch off all pumps and electrical power in pool equipment area before servicing the filter. Ensure that the disconnected circuit is locked out or properly tagged so that it cannot be switched on while you are working on the filter. Failure to do so could result in serious injury or death to a serviceman, pool user, or others due to electric shock.

READ UNDERSTAND AND FOLLOW ALL SAFETY AND OPERATION:

⚠ WARNING

Do not operate the filter until you have read and clearly understand all the operating instructions and warnings for your pool filtration system equipment.

The following instructions are intended as a guide for the initial operation and ongoing maintenance of the filter in a general pool installation.

Failure to follow all operating instructions and warnings can result in property damage or severe personal injury or death.

⚠ WARNING

To reduce the risk of injury, do not permit children to use this product

ELECTROCUTION HAZARD

Direct water discharge from air relief valve away from electrical equipment. Do not locate electrical equipment over or near filter.

Due to the potential risk that can be involved, it is recommended that any pressure tests are kept to the minimum time required by the relevant local codes. Do not allow people to work around the filtration system while pressure testing is occurring. Post appropriate warning signs and establish a barrier around the pressurised equipment. If the equipment is located in an equipment room, lock the door and post a warning sign.

⚠ WARNING

Never attempt to adjust any closures or lids or attempt to remove or tighten bolts when the system is pressurised . These actions can cause the closure to separate and could cause severe personal injury or death if they were to strike a person.

Never exceed the maximum operating pressure of system components. Exceeding these limits could result in a component failing under pressure. This instantaneous release of energy can cause the closure to separate and could cause severe personal injury or death if they were to strike a person.

2. GENERAL OVERVIEW

Congratulations on your recent purchase of your **Oasis Aquatics SE Single Element Cartridge Filter**.

Please take a moment to read through the entire manual before installing your new unit.

While every effort has been made to ensure that the information contained in this manual is accurate and complete, no liability can be accepted for any errors or omissions.

Oasis Aquatics reserves the right to change the specification of the hardware and software described herein at any time without prior notice.

There are 3 different size models in our range:

SE100

SE150

SE200

It is important that you read through the manual to identify the key areas you need to understand, particularly the following:

- Health and Safety Concerns
- Installation requirements
- How to operate the major features of the unit
- The importance of maintenance
- If you have a problem, what you can do to trouble shoot before you contact your pool professional
- Your entitlements under the product warranty.

Oasis Aquatics have developed their product line to provide you with the ultimate experience and are sure you will be delighted with your purchase.

Please note: This manual has been designed to cater for installation rules and codes in Australia.

Specific rules and regulations for other countries may differ. Please speak with your installer should you have any questions.

Your filter is a high-performance unit designed with superior flow characteristics and ease of operation in mind.

Oasis Aquatics highly recommends the use of qualified service technicians to ensure that your pool remains healthy and balance all year round.

**Thank you again for choosing an
Oasis Aquatics SE Series Single-Element Cartridge Filter .**

3. HOW IT WORKS

Oasis Aquatics SE Series Filters utilise multiple reusable, reinforced polyester filter cartridge elements to provide a high degree of water clarity and long filter cycles with minimum care.

With maximum flow ratings between 380 and 455 litres per minute (LPM), they are designed for continuous or intermittent operation, when installed both above or below the pool waterline.

Oasis Aquatics SE Series Filters are compatible with freshwater, saltwater and mineral pools and spas.

4. INSTALLATION

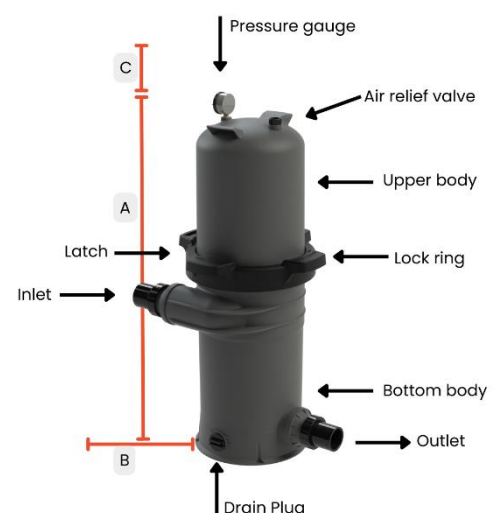
The filter should be installed as close to the pool as possible while keeping a minimum distance of 1.5m away from the waters edge. Locate the filter on clean, rigid and level surface, preferably in a dry, shaded, and well-ventilated area.

Prior to installation take into consideration the following conditions:

- Position of suction and return PVC connections
- Access for cleaning operation and servicing, particularly important if installing under a deck or roof structure that enough space is provided to remove the element for cleaning
- The operation of the air relief which discharges water from the filter, you must position the filter in a way which witch prevents this water from reaching any electrical equipment which would present a risk of electric shock or electrocution.
- Protection from sun, rain, splashing etc
- Drainage of mounting area, ensuring that it does not flood when it rains, or when the filter is serviced.
- Ventilation and protection of the full filtration system from any chemical fumes or spills.

1. Place the complete filter assembly in position.
 - a. Position filter body such that all operation and safety labels are visible.
 - b. Ensure that the mounting position is level and stable.
2. Do not locate electrical equipment over or near filter.
3. Ensure that water discharge from the air relief valve will not reach any electrical equipment when the filter is bled.
4. Make sure that there is ample room above and around the filter to allow clear access for regular maintenance activities.
5. Connect the pool suction PVC pipe plumbing between the skimmer, the pool outlet (from the pool), and the pump.
6. Install the plumbing from the filter to the pool (return to the pool)

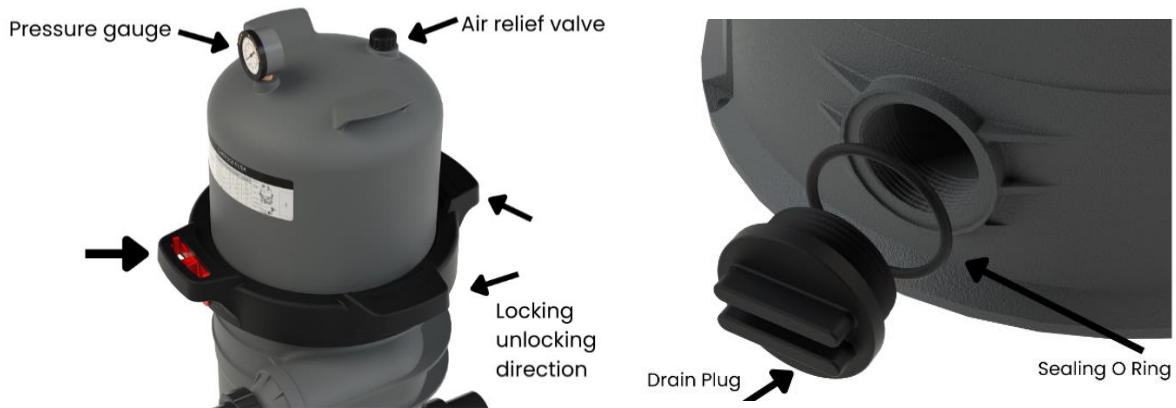
Model	REQUIRED CLEARANCE		
	A <i>cm</i>	B <i>cm</i>	C <i>cm</i>
SE100	82.7	47	30
SE150	91.2	47	30
SE200	103.4	47	30



5. STARTING THE PUMP AND FILTER SYSTEM

BEFORE STARTING THE PUMP

1. Ensure that all unions, clamps, fasteners, lids and other accessories are properly fitted, and that any glued fittings have had ample time to cure.
2. Ensure that the pressure gauge, air relief valve and drain plug are installed. Note that each of these contains a sealing o-ring.



3. Loosen and retighten the filter lock ring, ensuring that the latch clicks into the locked position.
Depress the latch by hand for unlocking then turn the ring



4. Open all system valves to allow water from the pool to the filtration system and from the filter to return to the pool.
5. Loosen air relief valve approximately one and a half turns.
(Do not remove the valve completely)



STARTING PUMP



Caution Compressed air

Stand clear of pump during start-up

Pool and spa circulation systems operate under high pressure. When any part of the pool filtration system is serviced, air can enter the system and become pressurised. Pressurised air can cause the cartridge filter top assembly to separate, resulting in severe injury, death, or property

damage.

Upper body and lock ring must be secured to prevent violent separation.

1. Switch on filter pump. When pump starts, do not stand over or near filter.

NOTE: If water leakage appears at the main lock ring, immediately turn off all pumps, electrical equipment and stand away from the filter until the water leak has stopped, before inspecting further.

2. If closed, loosen air relief valve approximately one and a half turns and wait for a constant stream of water to exit. Gently close valve only enough to seat the seal (**do not overtighten**).

OPERATION

Filtration starts as soon as the flow is steady through the filter. As the filter removes particles from the pool water, this accumulates in the filter element. The pressure inside the filter will gradually rise over time, resulting in reduced water flow.

1. Record the initial starting pressure which is the initial pressure reading when a new filter element is working under filtration conditions. This measurement should be taken once all air is bled from the filtration system.
2. Each time the filter element is cleaned or replaced, the gauge ring should be adjusted to align the needle with the "Start" marking, once all air is bled from the system
3. Monitor the pressure over time and when the needle reaches the "Clean Filter" mark, clean or replace the filter element as per the instructions.



Installing a new filter element.

You should replace the filter cartridge element:

1. If after cleaning and installing the filter element, if the pressure is:
 - a. Reading 10 psi higher than the initial 'start' reading when the element was new, or
 - b. Is reading over 30 psi.
2. When the filter element is broken, or the layers are peeling.
3. When the pressure or flow rate is below the desired rate of the system.

6. MAINTAINING YOUR FILTER

FILTER DISASSEMBLY INSTRUCTIONS

1. Switch off all pumps and electrical power in pool equipment area.
2. Set any pool system valves in a position that prevents water from flowing to the filter.
3. Loosen the air relief valve approximately one and a half turns.
4. Remove the filter drain plug to release all water from the filter.
5. Depress the latch and unscrew the lock ring counter clockwise.
6. Lift and remove upper filter body.

REMOVING CARTRIDGE

1. Remove the filter cartridge element by using a slight rocking motion and lifting.
2. Clean filter cartridge element.

CLEANING CARTRIDGE

The cartridge filter element can be washed inside and outside by a garden hose. After hosing the cartridge, for best results, carefully brush the pleated surface to remove fine particles. Do not use high-pressure water to wash as it can damage the filter element.

You may find some debris on the cartridge pleats, which cannot be removed with hosing. From time to time, the filter element will require a deep clean using a purpose-specific cleaning solution that can be purchased from most pool shops. Follow the instructions provided by the pool shop or solution manufacturer to achieve the best result.

FILTER REASSEMBLY INSTRUCTIONS

RE-INSTALLING CARTRIDGE

1. Clean any debris from the lower filter body.
2. Reinstall the filter drain plug.
3. Install the cartridge element.
4. Clean and lubricate the upper body o-ring with silicone-based grease.
5. Install the upper body and push down until o-ring seats.
6. Install the lock ring by tightening clockwise until the latch clicks into the locked position.
7. Reset any previously adjusted pool system valves.
8. Switch on filter pump. When pump starts, do not stand over or near filter.



RESTARTING FILTER PUMP

STARTING PUMP AFTER INSTALLATION OR CLEANING OF FILTER

1. Switch on filter pump. When pump starts, do not stand over or near filter.

NOTE: If water leakage appears at the main lock ring, immediately turn off all pumps, electrical equipment and stand away from the filter until the water leak has stopped, before inspecting further.

2. If closed, loosen air relief valve approximately one and a half turns and wait for a constant stream of water to exit. Gently close valve only enough to seat the seal (do not overtighten).

7. WINTERISING

Is it important to protect your **Oasis Aquatics Cartridge Filter** from freezing water conditions in areas where sub-freezing temperatures can be expected. As water freezes it expands and that can cause the internals of the Cartridge Filter to break under the intense pressure of expanding water.

It is your responsibility to monitor temperatures and take the following actions:

In mild climate areas, when temporary freezing conditions may occur, run your pump and filtration equipment all night to maintain water circulation and prevent freezing.

If freezing conditions are expected, take the following steps to shut down your filter system and reduce the risk of freeze damage. Freeze damage is not covered under warranty.

1. Follow the steps in "FILTER DISASSEMBLE INSTRUCTIONS" to remove and clean the cartridge.
2. Reinstall the cartridge in the filter.
3. Fully tighten the lock ring while storing.
4. Reassemble as per "FILTER REASSEMBLY INSTRUCTIONS".
5. Be sure to leave the drain plug unattached during the winter season to avoid cracking the filter body.

Winter is an ideal time for any repairs that may be required during the off-season. Most pool professionals will recommend what is needed before the next pool season, so contact them for a thorough maintenance plan.

8. TROUBLESHOOTING



If you suspect for any reason your **Oasis Aquatics SE Series Single-Element Cartridge Filter** is not performing or running as it should be, here are some handy troubleshooting tips that may assist you. This table should assist with the majority of problems

WHAT IS THE PROBLEM?	POTENTIAL CAUSE?
Low Water Flow	<ul style="list-style-type: none"> Check skimmer and pump strainer baskets for debris. Check for restrictions in intake and discharge lines Check for air leak in intake line indicated by bubbles returning to pool. Clean Filter Cartridges
Short Filter Cycles	<ul style="list-style-type: none"> Check for algae in the pool and super-chlorinate as required. Be sure chlorine and pH levels are in a proper range (adjust as required). Filter could be dirty, clean the elements as per instructions and restart. Carry out a deep clean using a purpose-specific cleaning solution (available from most pool shops)
Water Is Not Clear	<ul style="list-style-type: none"> Check chlorine, pH, and total alkalinity levels and adjust as required. Filter could be dirty, clean the elements as per instructions and restart. Be sure the flow rate through the filter is sufficient. Operate filter for longer periods. Filter elements could be damaged, replace elements from your local pool professionals.
Low Water Flow	<ul style="list-style-type: none"> Check and clean pump strainer baskets. Filter could be dirty, clean the elements as per instructions and restart. Carry out a deep clean using a purpose-specific cleaning solution (available from most pool shops) Check for air leak in intake line indicated by bubbles returning to pool. Check for leaks on all equipment, refit gaskets and seal. Check for restrictions in intake and discharge lines. Check Pool water level is high enough to cover the Skimmer and allow water to be circulated.
Dirt Returns to Pool	<ul style="list-style-type: none"> Check for damage to Element and replaces as necessary.

NOTE: If the recommendations in this manual do not solve your particular problem(s), please contact your local pool shop or Oasis Aquatics dealer for service.

9. PRO-ACTIVE MAINTENANCE

Your new **Oasis Aquatics Cartridge Filter** has been designed to withstand harsh outdoor conditions and withstand high velocity water with chemicals. Some of these parts will wear in the normal course of use and require regular checks and maintenance. A well thought out pro-active maintenance schedule will identify faults early and extend the lifespan of your Cartridge Filter.

A good tip for all outdoor Filtration Equipment including your Cartridge Filter is to ensure that the equipment area is protected from any insects and vermin with a regular treatment of Surface Spray or suitable Insecticide. Most of the electronics in Pumps, Chlorinators or Heaters are well vented to protect against extremes of temperature, however this creates a popular environment for ants and other insects who are attracted to the warmer, dry environments inside the enclosures. We recommend that, with power turned off to all equipment, you spray a surface insecticide on the surfaces surrounding the equipment to prevent ant and insect ingress. Repeat every three months or as necessary to ensure no nasty surprises.

Like your motor vehicle it is important to maintain a regular service program for your pool equipment to ensure the best operation and long lasting results.

Regular maintenance can identify any potential issues early and save on expensive maintenance at a later date

10. SPECIFICATIONS & DIMENSIONS

Model	Filtration Area <i>m²</i>	Design Flow <i>LPM</i>	Height <i>A (cm)</i>	Height <i>B (cm)</i>	Diameter <i>C (cm)</i>	Height <i>D (cm)</i>
SE100	9.29	380	53.0	23.0	46.40	8.20
SE150	13.94	455	53.0	31.5	46.40	8.20
SE200	18.58	455	53.0	43.8	46.40	8.20



11. REPLACEMENT PARTS OF FILTER

REPLACEMENT PARTS OF MULTIPOINT VALVE

Item	Part No	Description	Qty
1	117068519	Pressure gauge 60psi, plastic casing	1
2	550188198	Upper Body ICF100	1
2	550188199	Upper Body ICF150	1
2	550188200	Upper Body ICF200	1
3	570818164	Nut D22X15	1
4	550058153	Lock Ring	1
5	550058196	Latch	1
6	11000036	O-ring D306Xd7.5	1
7	430178159	Union nut 2"	2
8	430308158	Union 2inch/2.5inch ANSI	2
8	430309780	Union 1.5inch/2inch	2
8	430309779	Union GB50	2
8	430309059	Union GB63	2
9	111040071	O-ring D77Xd62X8	2
10	E140401	ICF100-200 Bottom Body	1
11	E160553	End cap with O-ring	1
12	E010201	Air Relief Valve with O-ring	1
13	570818165	Nut D31X20 14G	1
14	914100004	ICF100 Element	1
14	914100005	ICF150 Element	1
14	914100006	ICF200 Element	1
15	107048520	PVC Pipe 2.5inch for ICF100, 387 mm	1
15	107048520	PVC Pipe 2.5inch for ICF150, 440mm	1
15	107048520	PVC Pipe 2.5inch for ICF200, 517mm	1
16	550128166	ICF100-200 Center Drain connection	1



12. WARRANTY

Australian Consumer Law

Our goods come with guarantees that cannot be excluded under the Australian Consumer Law. You are entitled to a replacement or refund for a major failure and for compensation for any other reasonably foreseeable loss or damage. You are also entitled to have the goods repaired or replaced if the goods fail to be of acceptable quality and the failure does not amount to a major failure.

Your **Oasis Aquatics SE Series Single-Element Cartridge Filter** is covered by a limited **five (5) year** warranty and commences from the date of purchase.

Please refer below for details as follows:

- 5 year limited warranty on **Oasis Aquatics SE Series Single-Element Cartridge Filter** unit against component failure or defects workmanship and materials excluding obvious neglect, misuse, improper installation or improper maintenance from date of purchase.
- 12 months limited warranty on the cartridge element, internal components, including o-rings, gaskets and gauges unit against defects in workmanship and materials excluding obvious neglect, misuse, improper installation or improper maintenance from date of purchase.
- 12 months warranty is provided on installation labour completed by Oasis Aquatics or Sunlover Heating staff from date of install.
- Items that are replaced as part of routine maintenance are not covered by this warranty.

This warranty is subject to the conditions and limitations herein after stated and is applicable to workmanship and materials only.

You must notify **Oasis Aquatics** of the failure of any component of your product within seven (7) days of the recognised fault.

Oasis Aquatics will at its option, repair or replace any defective parts. Component failure must be due solely to a defect in materials or workmanship. The manufacturer will not be held liable for damage caused by, but not limited to, corrosion, scaling or stress.

This warranty does not apply if failure is due to any abuse, misuse, improper installation or accident or to any of the following:

- The customer has not complied with **Oasis Aquatics** terms and conditions of sale
- The product was used in an application for which it wasn't intended
- The product was altered, modified or repaired by any other person than **Oasis Aquatics** or its Authorised Service Agents
- The product has not been installed, maintained or operated in accordance with installation and operating instructions
- Environmental influences such as flooding, storm, lightning, fire
- Running filtration system without water
- Damage beyond our control

This Warranty is solely for the benefit of the original consumer and with respect to the original installation only. and is therefore non transferable under any circumstance.

Oasis Aquatics shall have no liability for incidental or consequential damages. No person is authorised to make any representation or warranty on behalf of **Oasis Aquatics** other than what is stated here.

If a defect in materials or workmanship occurs within the warranty period **Oasis Aquatics** will, at its discretion repair or replace product or the defective part of the product free of charge or cause the product or the defective part to be repaired or replaced by an Authorised **Oasis Aquatics** Service Agent free of charge.

Oasis Aquatics reserves the right to substitute defective parts or the product with parts or product of similar quality, grade and performance where an identical part or product is not available. Parts or products may be replaced by refurbished goods of the same type rather than be repaired.

If the product is bought as a demonstration, refurbished, ex-rental, discontinued or otherwise previously unboxed unit, the warranty applicable shall be limited to twelve (12) months only.

On Commercial Installations, such as health clubs, swim schools, motels/hotels and hydrotherapy, parts and in field labour warranty, the warranty period is limited to twelve (12) months only.

13. TECHNICAL SUPPORT

For all warranty enquiries please contact your local distributor or contact **Oasis Aquatics** directly and we will either direct you to your nearest authorised repairer for assistance.

OASIS AQUATICS

Ph: 1800 815 913

Website: oasisaquatics.com.au

Email: sales@sunloverheating.com.au

DISCLAIMER

Information in this guide is intended to provide general information on a particular subject(s) in good faith and is not an exhaustive treatment of such subject(s). Its use is beyond the control of the author, contributor, publishers and distributors and should not be relied upon without consulting your local Professional for comprehensive advice.

This guide includes subject(s) that should only be performed by or under the direction and advice of your local Professional and under no circumstances should the guide be used as a substitute for such professionals.

No representations or warranties are made that the content, advice and recommendations in this guide are current, free from errors or omissions, or appropriate for the user's circumstances or abilities. No liability or responsibility is accepted for any loss suffered as a result of any user's reliance on such content.

14. WARRANTY REGISTRATION

Registering your **Oasis Aquatics** products is fast and easy, providing peace of mind that you've got great backup support for the life of your pool heating!

- Scan QR Code
<https://sunloverheating.com.au/service-request/warranty-registration/>
- No Need to create an account
- Fill in your details
- Upload a photo of your serial number
- Submit



For Quick reference, records your details here, which can be updated as an image at a later time.

Model No:

Serial No:



A part of the  sunlover group

Victoria
6-8 Austral Place
Hallam VIC 3803
Australia
T: 03 9887 2131

New South Wales
Unit 2, 10 Boden Road
Seven Hills NSW 2147
Australia
T: 02 9838 0000

Queensland
11 Andys Court
Upper Coomera QLD 4209
Australia
T: 07 5679 6821

oasisaquatics.com.au
sales@sunloverheating.com.au